

EA440

Self Excited Automatic Voltage Regulator

Compatible with Newage* Stamford SX440 regulator

Features

- Voltage regulation < +/- 1%
- Can be used in parallel operation
- Adjustable DIP, TRIM & DROOP functions
- Under frequency roll off protection
- Sensing voltage loss protection
- Under frequency LED indicator
- Soft start voltage ramping



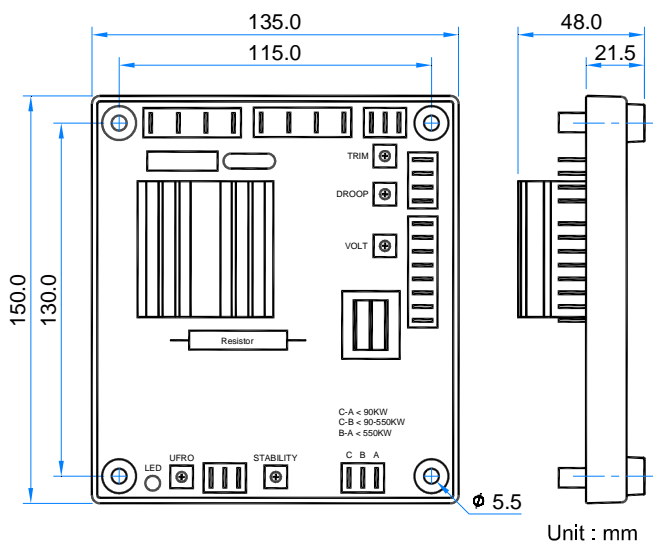
EA440
www.kutai.com.tw

*All manufacturer names, numbers, symbols and descriptions are used for reference purpose only and do not imply that any part is the product of these manufacturer.

Specifications

Sensing Input	Voltage	190-264 Vac 1 phase 2 wire	Soft Start Ramp Time	2 sec.		
	Frequency	50 / 60 Hz selectable		Analogue Input	Max. input	+/- 5 Vdc
Output	Voltage	Max. 90 Vdc @ 207 Vac	Dramp Input		Sensitivity	1V for 5% generator volts
	Current	Continuous 4A, Intermittent 10A for 10 sec.		Input resistance	1K ohm	
	Resistance	Min. 15 ohms		Burden	10 ohms	
Voltage Regulation	< +/- 1% (with 4% engine governing)			Max. sensitivity	0.07A for 5% droop (PF=0)	
Build Up Voltage	Residual volts at AVR terminal > 5 Vac			Max. input	0.33A	
External Volts Adjustment	+/- 8% with 1K ohms 1 watt trimmer			Environment	Operation Temperature	-40 - +70 °C
Unit Power Dissipation	Max. 12 watts				Storage Temperature	-40 - +85 °C
Thermal Drift	0.05% per °C change in AVR ambient			Relative Humidity	Max. 95%	
Under Frequency Protection	Set point	95% Hz		Vibration	3.3Gs @ 100-2K Hz	
	Slope	170% down to 30 Hz				

Mechanical Specifications



AVR Control Function

VOLT	Voltage adjustment
STAB	Stability adjustment
UFRO	Setting under frequency protection knee point
DROOP	Droop adjustment
TRIM	Analogue input adjustment
DIP	U/V rate set

Physical Specification

Dimensions	150.0 (L) x 135.0 (W) x 48.0 (H) mm
Weight	418 g +/- 2%