

InteliVision 12Touch



Order code: RD1IV12TBZH

12,1" display unit for ComAp controllers

Datasheet

Product description

InteliVision 12Touch, industrial operator panel equipped with 12,1" colour, multi-touch screen, is dedicated together with the ComAp controller to visualise and control single gen-set or engine in various applications.

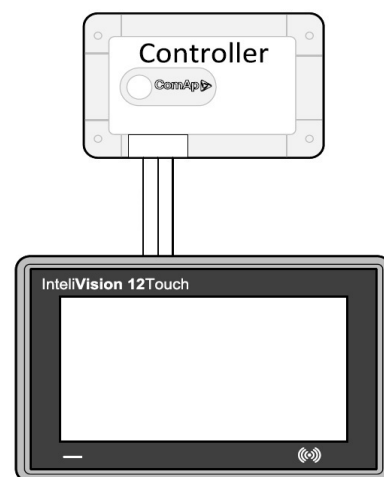
Key features

- ▶ 12,1" Capacitive Touch Screen with resolution 1280 x 800 px
- ▶ Industrial and robust design
- ▶ Rugged housing manufactured from a single piece of aluminium alloy
- ▶ Temperature range from -30 to +70° C
- ▶ Chemically strengthened front glass (8 times as strong as normal glass)
- ▶ Sun-readable display (1000 cd/m²)
- ▶ Automatic brightness control
- ▶ Touch based interface, support for multi-touch gestures
- ▶ Multiple communication capabilities
- ▶ Adjustable setpoints help
- ▶ EMC, climatic and mechanical tests

Related products

- ▶ InteliSys Gas
- ▶ InteliSys^{NTC} BaseBox
- ▶ InteliGen^{NTC} BaseBox
- ▶ InteliMains^{NTC} BaseBox
- ▶ InteliSys^{NTC} Hybrid
- ▶ InteliDrive DCU Marine (from the HW version 2.0)
- ▶ InteliDrive Mobile (from the SW version 2.6.0)

Application overview



Technical data

Power supply

Power supply range	8-36 VDC
Power consumption (typical values)	2 A / 12 V 1 A / 24 V 0.7 / 36 V (Actual consumption depends on LCD backlight intensity and actual CPU consumption.)

Operating conditions

Operating temperature	-30 to +70° C
Storage temperature	-30 to +80° C
Front panel protection	IP65
Humidity	95% without condensation IEC/EN 60068-2-30

Interfaces

RS-485	Galvanic Isolation Terminating resistor - DIP switch
CAN	Galvanic Isolation Terminating resistor - DIP switch
Ethernet port	100 Mbit/s
USB port B (Device)	Galvanic Isolation (Dedicated for Firmware Upgrade)
2 x USB port A (Host)	0,5 A max Overcurrent Protection Non-Isolated

Analog inputs

Resistive input	Non-Isolated 0 - 2400 Ohm Accuracy 5% (Dedicated for external LCD backlight control)
------------------------	---

Binary outputs

MOSFET	Isolated 0,5 A @ max. power supply voltage Overcurrent Protection (Active when controller's Horn output is activated)
---------------	--

CPU

CPU performance	nVidia Tegra 3 4 x CPU cores (1.3 GHz) 2 x GPU cores
------------------------	--

LCD specification

LCD panel	12.1"
Resolution	1280 x 800 px
Pixel Pitch	0.204 x 0.204 mm
Color Depth	16.7M (TrueColor)
Color Pixel Arrangement	RGB vertical stripes
Luminance	1000 cd/m2
Viewing Angle (CR > 10)	-85 to +85° (H/V)
Backlight	LED

Mechanical

Housing	Aluminium Alloy
Front Glass	Chemically Strengthened Antiglare
Mounting	6 integrated clips
Weight	2400 g
Recommended cut-out	311 x 206 mm (12.24 x 8.11 in)
Minimal / maximal panel thickness	2 - 13 mm (0.08 - 0.51 in)

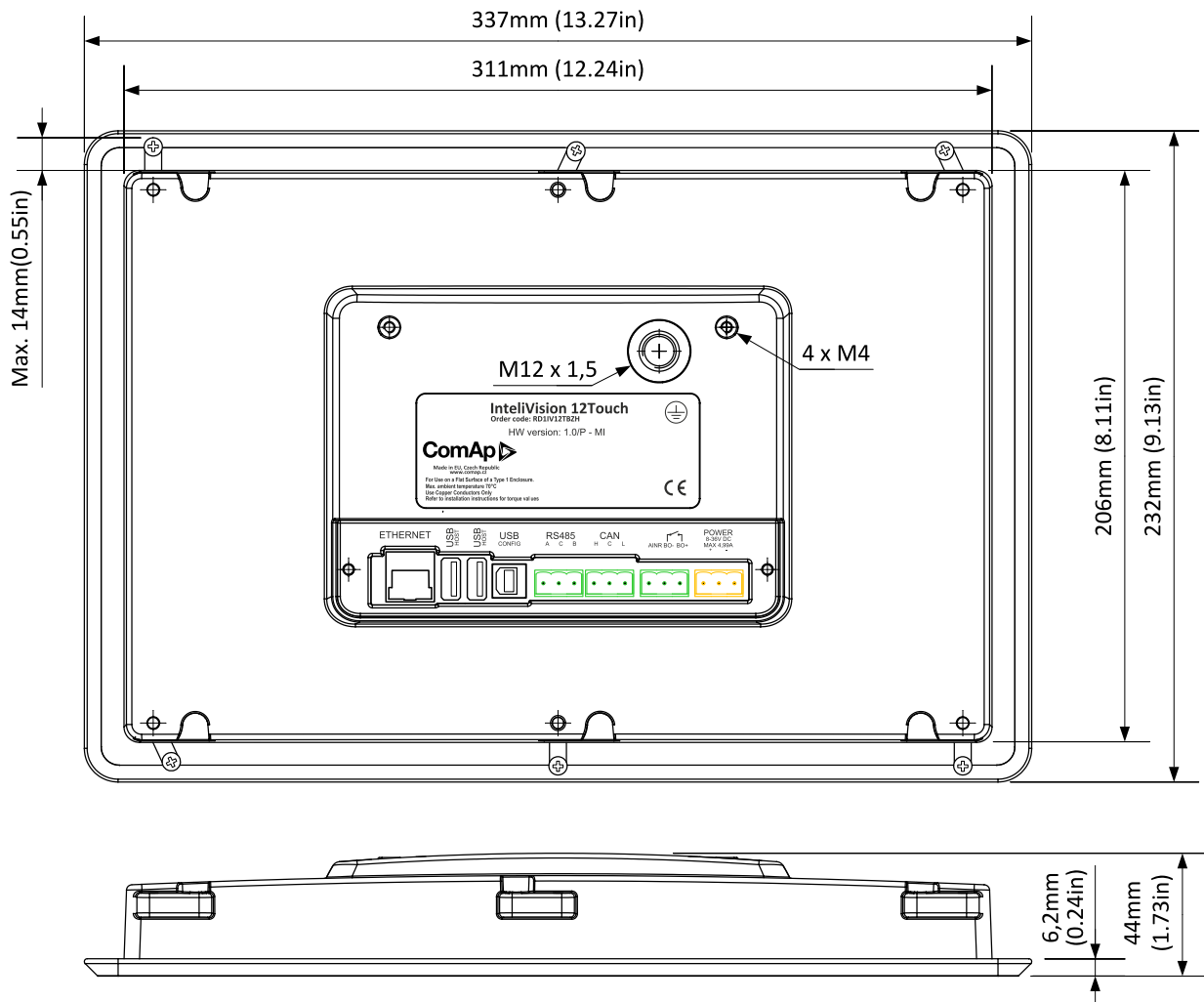
Operating system

OS	Microsoft Windows CE 7
-----------	------------------------

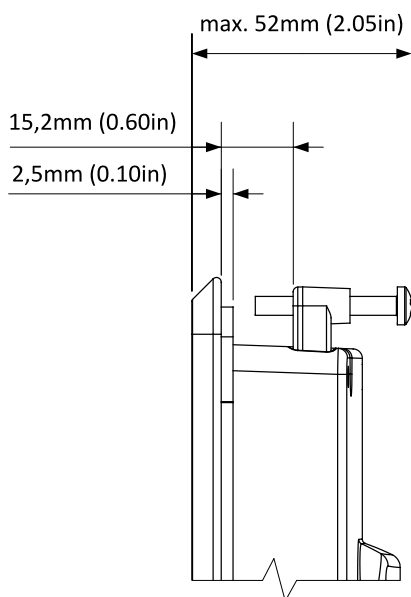
Other functions

Audio	Internal Buzzer (used for internal Horn feature)
--------------	---

Dimensions, terminals and mounting



Panel door mounting





Note: IntelliVision 12Touch can be mounted into the panel doors. Integrated holders are used for Display unit mounting. The recommended cut-out dimension for the unit is 311 x 206 mm (12.24 x 8.11 in). Approximately 1mm wider than the unit size on each side. The panel thickness range is 2 - 13 mm (0.08 - 0.51 in).

Related products

Product	Description	Order code
InteliSys Gas	Industrial grade controller for gas gen-set based CHPs and power generation applications	I2GASXXBAB
InteliSys ^{NTC} BaseBox	Premium parallel gen-set controller	IS-NTC-BB
InteliGen ^{NTC} BaseBox	Complex parallel gen-set controller	IG-NTC-BB
InteliMains ^{NTC} BaseBox	Mains Supervision Controller Base Unit	IM-NTC-BB
InteliSys ^{NTC} Hybrid	Hybrid controller unit	IS-NTC HYBRID
InteliDrive DCU Marine	Drive marine controller unit (from the HW version 2.0)	ID-DCU Marine
InteliDrive Mobile	Drive controller unit (from the SW version 2.6.0)	ID-MOBILE

Certificates and standards

EMC		  (PROG.CNTRL. 4XC2)
<ul style="list-style-type: none"> ▶ EN 61000-4-3 ed.3 - Radiated elmag. field immunity ▶ EN 61000-4-2 - Electrostatic discharge ▶ EN 61000-4-4 ed.2 - Fast low energy transients/bursts ▶ EN 61000-4-5 ed.2 - Slow high energy transient/surges ▶ EN 61000-4-6 ed.3 - Conducted high frequency interference ▶ EN 61000-6-4, table 1 - Conducted emissions ▶ EN 61000-6-4, table 1 - Radiated emission from enclosure 		
Power supply		
<ul style="list-style-type: none"> ▶ VW80101, part 3.14; ISO 16750-2 - Reset behaviour during voltage drop ▶ IEC 60533, part 7.2 - External power supply failure ▶ IEC 60533, part 7.2 Table 4 - Power supply variation ▶ EN 61000-4-29 - Operating Voltage 		
Vibration		
<ul style="list-style-type: none"> ▶ EN (IEC) 60068-2-6 test Fc - Sinusoidal vibration ▶ IEC 60068-2-27: Shock test 		
Temperature		
<ul style="list-style-type: none"> ▶ EN 60068-2-1 ed.2 - Temperature test ▶ EN (IEC) 60068-2-2 Bd - Dry heat ▶ EN (IEC) 60068-2-1 Ad - Low temperature ▶ EN (IEC) 60068-2-30, Db - Cyclic damp heat test 		<ul style="list-style-type: none"> ▶ EN (IEC) 60068-2-2 Bd - Long time Dry Heat ▶ EN (IEC) 60068-2-1, Ab, Ad - Long time Low Temperature ▶ EN 60068-2-5 - Sunshine IEC 60529 - Test of Ingress Protection (IPxx)
Reliability		
<ul style="list-style-type: none"> ▶ IEC 60092-504 - Insulation resistance ▶ EN 60695-11-5:05 - Flammability 		
List of standards is available on: https://webstore.iec.ch/		

