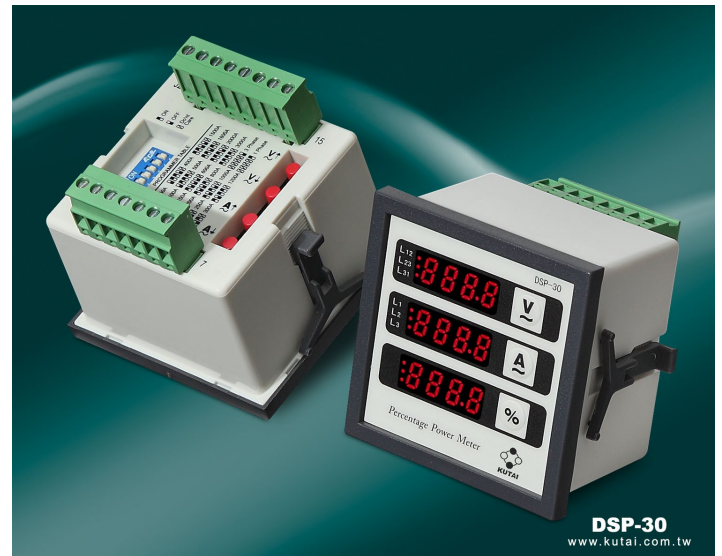


DSP-30

Percent Power Meter

Features

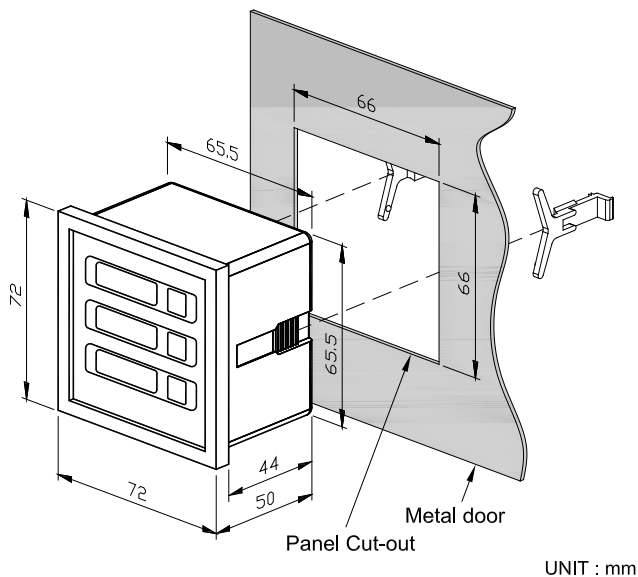
- First and only percent power meter specially designed for genset
- Three sets four digits high illumination LED display, suitable for outdoor use
- Microprocessor based design
- Full phase AC voltage RMS value display
- Full phase load current RMS value display
- Display percentage of load power consumption (KVA)
- Configurable cyclic display of full phase voltage and current values
- Compact, Anti-shock, Easy installation
- DIN rail terminal for easy connection
- Four adjustable voltage and current push buttons
- Five DIP switches for specification setting



Specifications

DC Supply	DC Voltage 9 to 36 Vdc (12V/24V)	Rated CT Capacity	Above 2.5 VA
Alternator Input Range	AC Voltage 10 to 500 Vac	CT Secondary Ratio	5A
	Frequency 50/60 Hz	Max. CT Rated	3000A / 5A
Power Consumption	Under 2 watts		

Dimensions



Environment

Operating Temperature	-20 to +60 °C
Storage Temperature	-35 to +85 °C
Relative Humidity	Max. 90%

Physical Specifications

Panel Cut-Out	66.0 x 66.0 +/-0.5 mm
Dimensions	72.0 (H) x 72.0 (W) x 50.0 (D) mm
Weight	200 g +/-2%

