

# DSP-52

## CAN Bus J1939 Reader

### Features

- 5.7-inch Large single color LCD with graphical display
- Adjustable LCD brightness
- Hidden multi-function menu
- Single click to return to graphical display menu
- 4 pages display arrangement with total of 16 graphical display readouts and 4 readouts per page
- 8 item data tracking and curve graph displayed
- Records up to 100 failure code history (ADTC)
- 1 failure warning dry contactor output
- Push button and warning beeper
- RS-485 port for system remote access
- Remote communication with PC (Use DSP-52 Remote Software)
- J1939 Database display page (67 Items)
- Provide one DB-15 waterproof connector (Length 1.2M)
- Application : Engine, Genset, Car, Boat



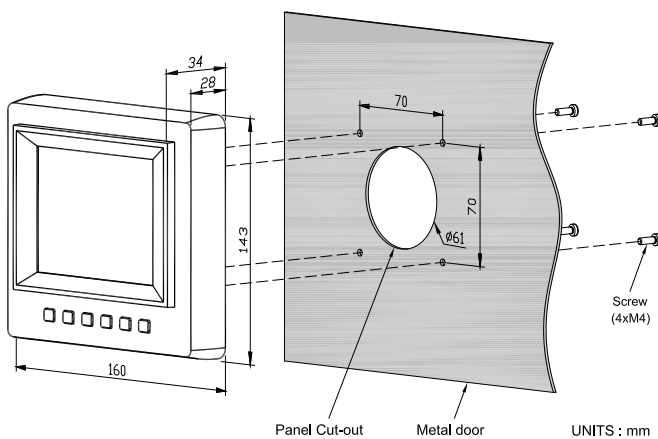
### Display Parameter

- |                         |  |                              |                      |
|-------------------------|--|------------------------------|----------------------|
| ● Engine Speed          | ● Intake Pressure                      | ● Engine Fuel Rate           | ● Trip Distance      |
| ● Coolant Temperature   | ● Oil Pressure                         | ● Engine Hours               | ● Total Distance     |
| ● Battery Potential     | ● Intake Temperature                   | ● Vehicle Speed              | ● Fuel Level         |
| ● Power Input Potential | ● Engine Percent Load at Current Speed | ● Accelerator Pedal Position | ● Distance Remaining |

### Specifications

<b>DC Supply</b>	8 to 60 Vdc	<b>RS-485 Baud Rate</b>	38400 Bits/Sec.
<b>CAN Bus</b>	SAE-J1939 Protocol	<b>Contact Capacity</b>	1A @ 30 Vdc Max.
<b>CAN Bus Baud Rate</b>	250K Bits/Sec.	<b>Water-Resistance</b>	IP67 (Below water 1 meter)
<b>RS-485 Bus</b>	Mod Bus Protocol	<b>Power Consumption</b>	Less than 2W

### Dimensions



### Environment

<b>Operating Temperature</b>	-10 to +60 °C
<b>Storage Temperature</b>	-20 to +80 °C
<b>Relative Humidity</b>	Up to 100%
<b>Vibration</b>	3.0 Gs @ 100 to 2K Hz

### Physical Specifications

<b>Dimensions</b>	160.0 (L) x 143.0 (W) x 34.0 (H) mm
<b>Weight</b>	555 g +/-2% (include harness total 700g)

