

GCU-3000

Digital Gen-set PLC Control Unit

Provides Full Instrumentation & Protection on Any Generator Set

Features

- Micro-Processor Auto Control & Protection
- Easy to Read Large LCD Display
- Modularity Design, Easy to Install
- Provide Accurate Temperature and Oil Pressure Display
- Provide Full Engine & Generator Alarms Signals Shutdowns
- All Settings Can Be Done Directly on GCU-3000 or PC Connection *1
- Provide Emergency Stop and Voltage Adjustment on Front Panel *2
- Total of 15 Memorable Event Logs
- Optional USB / RS485 / Ethernet Remote Communication Functions
- J1939 CAN Bus Protocol Available. (Option)



GCU-3000
www.kutai.com.tw

*1 Customized settings are auto-saved into memory and will remain even when power is off.

*2 Provide gen-set run-in modulate model and manual start and stop functions, when user proceed modulate controller will shut down all protect functions.

Protection & Alarm Status Indicators

- Engine Start Failure
- Engine Over Speed
- Sensor Failure
- Abnormal AC Voltage
- Low Engine Oil Pressure
- Emergency Stop Activated
- High Engine Temp.
- MPU Failure
- Generator Over Load
- Abnormal Battery Voltage

Large LCD Display

- Programmable Display with 3 Phase Volts, Amp & Freq.
- Engine Operation Hours & Battery Voltage Display
- Can Display Different Unit Of Temperature & Oil Pressure
- Failure Signal Status By Graphic Display

Specifications

Power Input Voltage 8 to 60 Vdc (12V/24V)

MPU Signal Input Voltage +/-2 to +/-70 Vac

AC Sensing Input Voltage 15 to 500 Vac

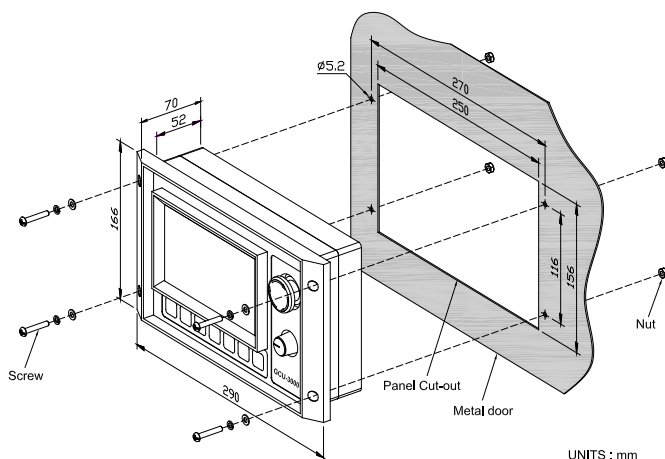
Frequency Min. 100 Hz Max. 10 KHz

Frequency 50/60 Hz

CT Specification Burden 2.5 VA

Power Dissipating Max. 7 watts

Dimensions



Environment

Operating Temperature -20 to +60 °C

Relative Humidity Max. 95%

Max. Vibration 5 to 25 Hz +/-1.6 mm
25 to 100 Hz a=4g

Physical Specifications

Panel Cut-Out 251.5 x 157.0 +/-0.5 mm

Dimensions 290.0 (L) x 166.0 (W) x 70.0 (H) mm

Weight 1341 g +/-2%

Optional Accessories

Digital Sensor (TS-03) -25 to +100 °C +/-2.0 °C (Max.)

Thin-Film Sensor (OPS-01) 0 to 100 Psi +/-0.5% (Max.)



KUTAI ELECTRONICS INDUSTRY CO., LTD.

TEL : +886-7-8121771 FAX : +886-7-8121775 Website : www.kutai.com.tw
Headquarters : No.3, Ln. 201, Qianfu St., Qianzhen Dist., Kaohsiung City 806037, Taiwan

