

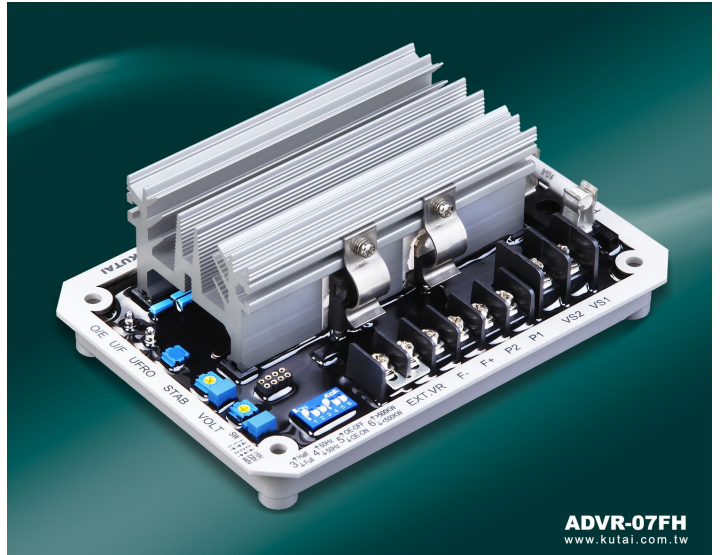
ADVR-07FH

Universal Hybrid Analog-Digital Single Phase 7Amp Automatic Voltage Regulator

For Self-excited Brushless Generator

Features

- Digital voltage sensing circuit and Under Frequency Protection circuit improve thermal drift characteristics
- Excitation output Half Wave / Full Wave selectable
- Soft start voltage ramping
- Over excitation protection
- EMI suppression
- Built-in high capacity fuse



Specifications

Sensing Input	Voltage 90 to 540 Vac 1 phase 2 wire	Soft Start Ramp Time	3 Seconds +/- 10%
(Average Readings)	Frequency 50 / 60 Hz DIP switch setting	Response Time	Less than 20 ms
	Adjustment 90 — 130 Vac @ 110 Vac	EMI	Built-in electromagnetic interference filter
	175 — 270 Vac @ 220 Vac	Voltage Thermal Drift	Less than 3% from -40 to +70 °C
	350 — 540 Vac @ 440 Vac	U/F Knee Point Thermal Drift	Less than +/- 0.1 Hz from -40 to +70 °C
Power Input	Voltage 60 to 300 Vac 1 phase	Static Power Dissipation	Max. 4 watts
	Frequency 40 to 60 Hz	External Voltage Adjustment	Max. +/- 10% @ 1 KΩ 1 watt potentiometer
Build Up Voltage	Residual voltage at power input > 5 Vac @ 25 Hz	Under Frequency Protection	50 Hz system knee point presets at 45 Hz
Voltage Regulation	Less than +/- 0.5% (with 4% engine governing)	(Factory Presets)	60 Hz system knee point presets at 55 Hz

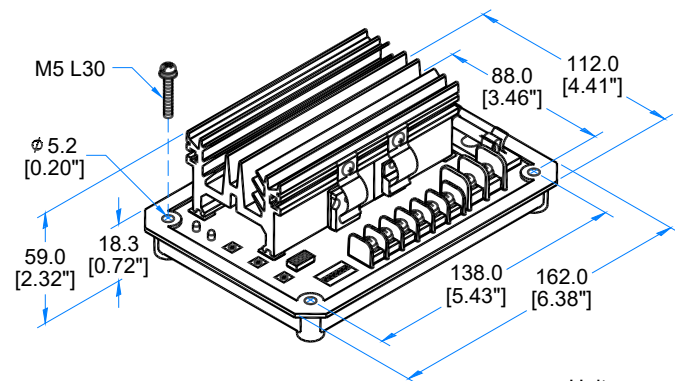
Excitation Output, Resistance, O/E Voltage Protection and DIP SW Setting

	DIP SW3	Power Input	Excitation Output *1	Exciter Resistance	O/E Voltage Protection *2
Half Wave	ON	110 Vac	Continuous 31 Vdc 7A Max. 45 Vdc 10A 10 Sec	Min.4.5 Ohm, Max.100 Ohm	Excitation Voltage 43V +/-10%
		220 Vac	Continuous 63 Vdc 7A Max. 90 Vdc 10A 10 Sec	Min.9 Ohm, Max.100 Ohm	Excitation Voltage 85V +/-10%
Full Wave	OFF	110 Vac	Continuous 63 Vdc 7A Max. 90 Vdc 10A 10 Sec	Min.9 Ohm, Max.100 Ohm	Excitation Voltage 85V +/-10%
		220 Vac	Continuous 125 Vdc 7A Max. 180 Vdc 10A 10 Sec	Min.18 Ohm, Max.100 Ohm	Excitation Voltage 170V +/-10%

*1 Fuse specification 6.3 x 32 mm 10A Fast Blow type.

*2 Excitation output will be turned off in 10 seconds time delay, Inverse-time curve. This function can be turned OFF.

Dimensions



Unit : mm
[inch]

Environment

Operating Temperature	-40 to +70 °C
Storage Temperature	-40 to +85 °C
Relative Humidity	Max. 95%
Vibration	5.5 Gs @ 60 Hz

Physical Specifications

Dimension	162.0 (L) x 112.0 (W) x 59.0 (H) mm 6.38 (L) x 4.41 (W) x 2.32 (H) inch
Weight	640 g +/-2% 1.41 lb +/-2%

Accessories

Jumper terminals	x 1
Jumper wire	x 2



KUTAI ELECTRONICS INDUSTRY CO., LTD.

TEL : +886-7-8121771 FAX : +886-7-8121775 Website : www.kutai.com.tw
Headquarters : No.3, Lane 201, Chien Fu St., Chyan Jenn Dist., Kaohsiung 806037, TAIWAN

