

ADVR-2100M

Hybrid Universal Analog/Digital 1 or 3 phase 5Amp
Self Excited, Shunt, Auxiliary Winding, Harmonic
Power or PMG Automatic Voltage Regulator

Features

- Power input single phase 60 to 300 Vac @ 50 to 500 Hz
- Sensing input 1 or 3 phase 220 to 600 Vac programmable
- Voltage regulation less than +/-0.5%
- 50/60 Hz selectable
- Multiple power input source SHUNT, AUX, HARMONIC, PMG
- Inverse-time over excitation & under frequency protection
- Soft start voltage ramping
- Built-in high capacity protection fuse
- Panel mounted, internal wiring external adjustment



ADVR-2100M
www.kutai.com.tw

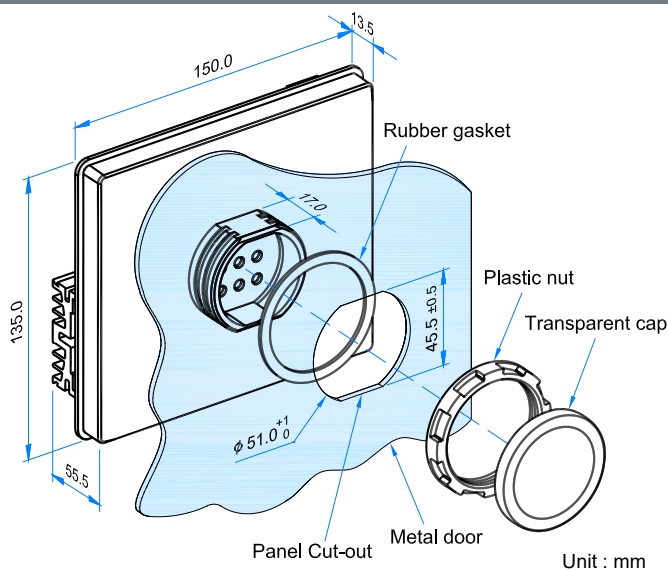
Specifications

Sensing Input	Voltage 220 to 600 Vac 1 or 3 phase DIP switch setting	Static Power Dissipation	Max. 12 watts
	Frequency 50/60 Hz DIP switch setting	Burden in Shunt & PMG Wiring	550 VA @ power input 110 Vac 1100 VA @ power input 220 Vac
Power Input	Voltage 60 to 300 Vac 1 phase 2 wire	Quadrature Droop Input	CT 1A or 5A > 5VA (DIP switch setting)
	Frequency 50 to 500 Hz	Excitation Output	Voltage Continuous 125 Vdc @ power input 220 Vac Sensitivity Max. +/-7% @ P.F +/-0.7
Excitation Output	Voltage Continuous 125 Vdc @ power input 220 Vac	Analogue Input	Input resistance greater than 2K ohms Max. Input +/-5 Vdc or +10 Vdc Sensitivity 1 Vdc for 2.5% Generator Volts
	Current Continuous 5A Intermittent 7A for 10 secs.	External Volts Adjustment	Max. +/-5% @ 500 ohm 1 watt potentiometer Max. +/-10% @ 1K ohm 1 watt potentiometer
	Resistance ≥ 13 ohms @ power input 110 Vac ≥ 25 ohms @ power input 220 Vac	Under Frequency Protection (Factory Presets)	50 Hz system knee point at 45 Hz 60 Hz system knee point at 55 Hz
External Volts Adjustment	Max. +/-5% @ 500 ohm 1 watt potentiometer Max. +/-10% @ 1K ohm 1 watt potentiometer	Over Excitation Protection	Inverse-time 125 +/- 4 Vdc @ power input 220 Vac
Voltage Regulation	Less than +/-0.5% (with 4% engine governing)	Voltage Thermal Drift	Less than 3% at -40 to +70 °C
Build Up Voltage	5Vac 25Hz residual volts at power input terminal		
Soft Start Ramp Time	4 seconds +/-10%		
EMI Suppression	Internal electromagnetic interference filtering		

Environment

Operating Temperature	-40 to +60 °C	Relative Humidity	Max. 95%
Storage Temperature	-40 to +85 °C	Vibration	5.5 Gs @ 60 Hz

Dimensions



AVR Control Functions

VOLT	Voltage adjustment
STAB	Stability adjustment
U/F	Setting under frequency protection knee point
DROOP	Droop adjustment
TRIM	Analogue input adjustment
DIP	Voltage droop ratio setting
O/E LED	Over excitation protection indicator
U/F LED	Under frequency protection indicator

Physical Specifications

Dimensions	150.0 (L) x 135.0 (W) x 55.5 (H) mm 5.91 (L) x 5.31 (W) x 2.19 (H) inch
Weight	470 g +/-2% 1.04 lb +/-2%

