

ADVR-2300M

Hybrid Universal Analog / Digital 1 or 3 phase
3.5Amp Self Excited, Shunt, Auxiliary Winding,
Harmonic Power or PMG Automatic Voltage
Regulator

Features

- Power input single phase 60 to 300 Vac @ 50 to 500 Hz
- Sensing input 1 or 3 phase 220 to 600 Vac programmable, RMS reading
- Voltage regulation less than +/-0.5%
- 50/60 Hz selectable
- Multiple power input source SHUNT, AUX, HARMONIC, PMG
- Inverse-time over excitation & under frequency protection
- Soft start voltage ramping
- Built-in high capacity protection fuse
- Panel mounted, internal wiring external adjustment
- Apply with KUTAI IVT-1260/IVT-2460 to exceeds normal generator motor starting capabilities



ADVR-2300M
www.kutai.com.tw

CE EN61204-3:2001 Certified

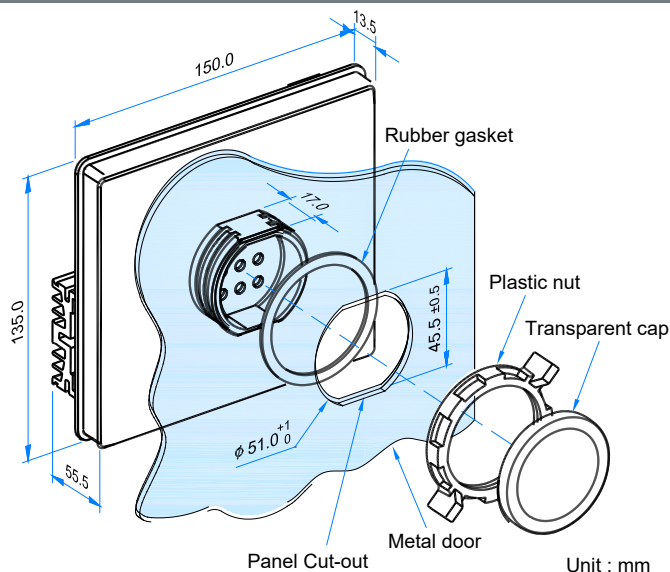
Specifications

Sensing Input	Voltage 220 to 600 Vac 1 or 3 phase DIP switch setting	Static Power Dissipation	Max. 6 watts
	Frequency 50/60 Hz DIP switch setting	Burden in Shunt & PMG Wiring	550 VA @ power input 110 Vac 1100 VA @ power input 220 Vac
Power Input	Voltage 60 to 300 Vac 1 phase 2 wire	Quadrature Droop Input	CT 1A or 5A > 5VA (DIP switch setting)
	Frequency 50 to 500 Hz		Sensitivity Max. +/-7% @ P.F +/-0.7
Excitation Output	Voltage Continuous 125 Vdc @ power input 220 Vac	Analogue Input	Input resistance greater than 2K ohms
	Current Continuous 3.5A Intermittent 7A for 10 seconds		Max. Input +/-5 Vdc or +10 Vdc
	Resistance ≥ 18 ohms @ power input 110 Vac		Sensitivity 1 Vdc for 2.5% Generator Volts
	≥ 36 ohms @ power input 220 Vac	Under Frequency Protection (Factory Presets)	
External Volts Adjustment	Max. +/-5% @ 500 ohm 1 watt potentiometer		50 Hz system knee point at 45 Hz
	Max. +/-10% @ 1K ohm 1 watt potentiometer		60 Hz system knee point at 55 Hz
Voltage Regulation	Less than +/-0.5% (with 4% engine governing)	Over Excitation Protection	Inverse-time 125 +/- 4 Vdc @ power input 220 Vac
Build Up Voltage	5Vac 25Hz residual volts at power input terminal	Voltage Thermal Drift	Less than 3% at -40 to +70 °C
Soft Start Ramp Time	4 seconds +/-10%		
EMI Suppression	Internal electromagnetic interference filtering		

Environment

Operating Temperature	-40 to +60 °C	Relative Humidity	Max. 95%
Storage Temperature	-40 to +85 °C	Vibration	5.5 Gs @ 60 Hz

Dimensions



AVR Control Functions

VOLT	Voltage adjustment
STAB	Stability adjustment
U/F	Setting under frequency protection knee point
DROOP	Droop adjustment
TRIM	Analogue input adjustment
DIP	Voltage droop ratio setting
O/E LED	Over excitation protection indicator
U/F LED	Under frequency protection indicator

Physical Specifications

Dimensions	150.0 (L) x 135.0 (W) x 55.5 (H) mm 5.91 (L) x 5.31 (W) x 2.19 (H) inch
Weight	460 g +/-2% 1.01 lb +/-2%



KUTAI ELECTRONICS INDUSTRY CO., LTD.
TEL : +886-7-8121771 FAX : +886-7-8121775 Website : www.kutai.com.tw
Headquarters : No.3, Ln. 201, Qianfu St., Qianzhen Dist., Kaohsiung City 806037, Taiwan

