

EA350

Self Excited Automatic Voltage Regulator

Compatible with Marathon* SE350 regulator and Basler* AVC63-4D regulator

Features

- Voltage regulation less than +/-1%
- Optional 120/240 Vac sensing input switch^{*1}
- 50/60 Hz selectable
- Under frequency protection
- Built-in high breaking capacity fuse
- EMI suppression
- CE EN61204-3:2001 Certified

*1 SE350 and AVC 63-4D only fits 220 Vac generators, please use EA350-220V for direct replacement



*All manufacturer names, numbers, symbols and descriptions are used for reference purpose only and do not imply that any part is the product of these manufacturer.

Specifications

Sensing & Power Input		External Voltage Adjustment	+/-5% with 1K ohm 1 watt trimmer
Voltage	120(85-135) / 220(190-240) Vac		+/-10% @ 2K ohm 1 watt trimmer
	DIP switch selectable	Unit Power Dissipation	Max. 8 watts
Frequency	50/60 Hz Jumper selectable	Under Frequency Protection (Factory Knee Point Setting)	
Output	Voltage	Max. 36 Vdc @ 120 Vac input	50 Hz system presets knee point at 45-51 Hz
		Max. 73 Vdc @ 240 Vac input	60 Hz system presets knee point at 54-61 Hz
Current	Continuous 3.5A Intermittent 7A for 10 sec.	Environment	Operation Temperature -40 to +60 °C
Resistance	Min. 15 ohms Max. 100 ohms		Storage Temperature -65 to +85 °C
Voltage Regulation	Less than +/-1% (with 4% engine governing)		Relative Humidity Max. 95%
Build Up Voltage	Residual volts at AVR terminal > 5 Vac		Vibration 1.3Gs @ 5-26 Hz
EMI Suppression	Internal electromagnetic interference filtering		5.0Gs @ 52-1000 Hz

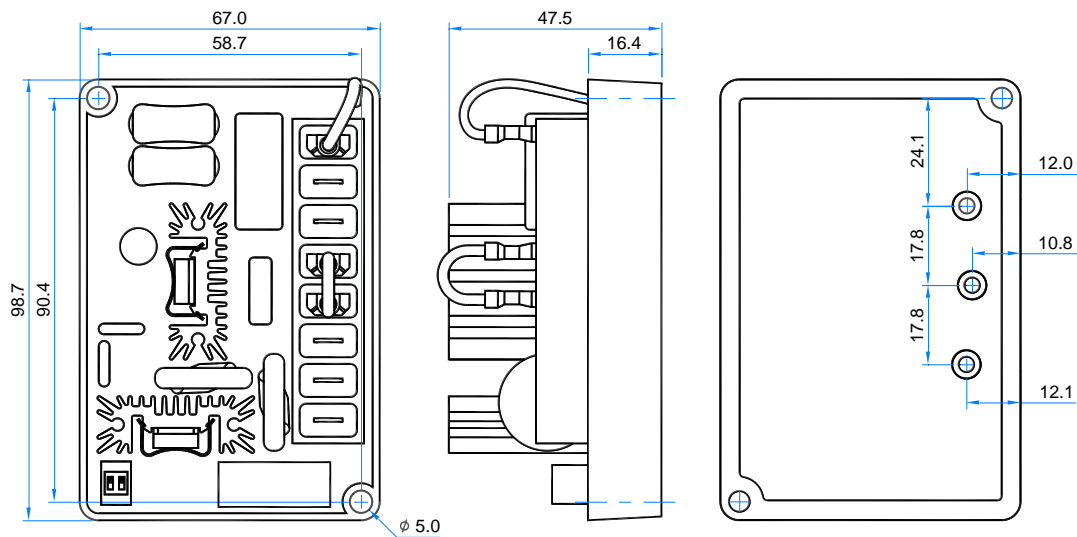
AVR Control Function

VOLT	Voltage adjustment
STAB	Stability adjustment
U/F	Setting under frequency protection knee point

Physical Specification

Dimension	98.7 (L) x 67.0 (W) x 47.5 (H) mm
Weight	205 g +/-2%

Mechanical Specifications



Unit : mm