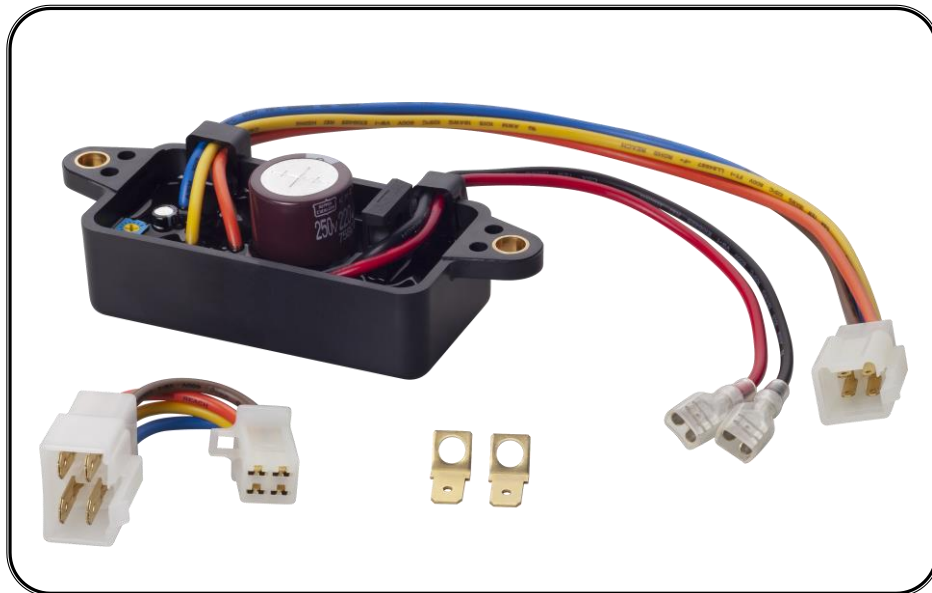


# EA03A

## ***Generator Automatic Voltage Regulator Operation Manual***



Self Excited Automatic Voltage Regulator  
Designed For Gasoline Generators

## SECTION 1 : SUMMARY

### Sensing Input

Voltage 18 – 20 Vac, 1 phase 2 wires

### Power Input

Voltage 60 – 90 Vac, 1 phase 2 wires

### Excitation Output

Voltage 5 – 85 Vdc

Current Continuous 3A  
Intermittent 4A for 60 secs.

Resistance Min. 25 ohms

### Voltage Adjust Range

110 Vac +/- 15%

### Voltage Thermal Drift

Less than 5% at temperature range -40 to +70 °C

### Environment

Operating Temperature -40 to +60 °C

Storage Temperature -40 to +85 °C

Relative Humidity Max. 95%

Vibration 1.5 Gs @ 5 – 30 Hz

5.0 Gs @ 30 – 500 Hz

### Voltage Regulation

Less than +/- 2% ( with 4% engine governing )

### Build Up Voltage

5 Vac residual volts at power input terminal

### Dimensions

113.0 (L) x 41.0 (W) x 32.0 (H) mm

### Weight

127 g +/- 2%

## SECTION 2 : OUTLINE / SIZE REFERENCE

- Stop engine
- Install AVR to generator field (Show as Figure 1)

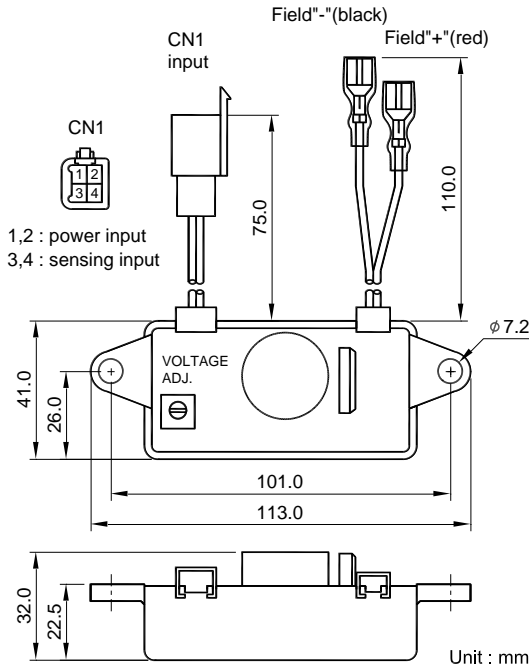


Figure 1

### ATTENTION

1. AVR can be mounted directly on the engine, genset, switchgear, control panel, or any position that will not affect operation. For dimension reference please see Figure 1.
2. All voltage readings should be taken with an average-reading voltmeter. Megger or high-potential test equipment must not be used. Use of such equipment could damage the AVR.
3. Improper setting of under-frequency protection could cause the output voltage of the unit to drop or become unstable under with changes in load. Avoid making any changes to the U/F setting unless necessary.

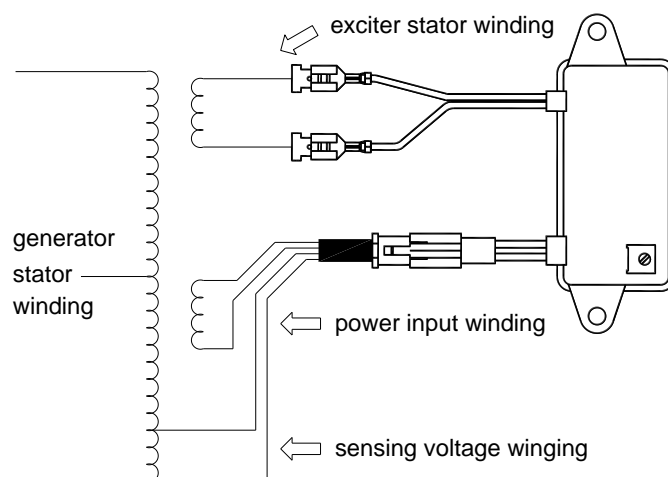


Figure 2

### SECTION 3 : APPLICATION MODE

BRAND	PART NUMBER
ELEPAQ	PH-1800, PH-2600
HONDA	EP-1800, EP-2500
KAWSAKI	GA-2300 \ GA-2900 \ GE-1400 \ GE-2200
KUBOTA Low Boy	GL6500S
MARUYAMA	ME-1800, ME-2600
SUZUKI	SV-1400L, SV-1400LD, SV-2200L, SV-2200LD
SAWAFUJI	SH-1800, SH-2600
YAMAHA	EDL6500S

### SECTION 4 : TRUBLESHOOTING

SYMPTOM	POSSIBLE CAUSES	SOLUTIONS
Voltage does not build up	F+, F- not connected	Connect F+, F-
	CN1 not connected	Connect CN1
Out voltage high	Voltage over AC130V can not adjusted	Defective regulator

※ Appearance and specifications of products are subject to change for improvement without prior notice.

