

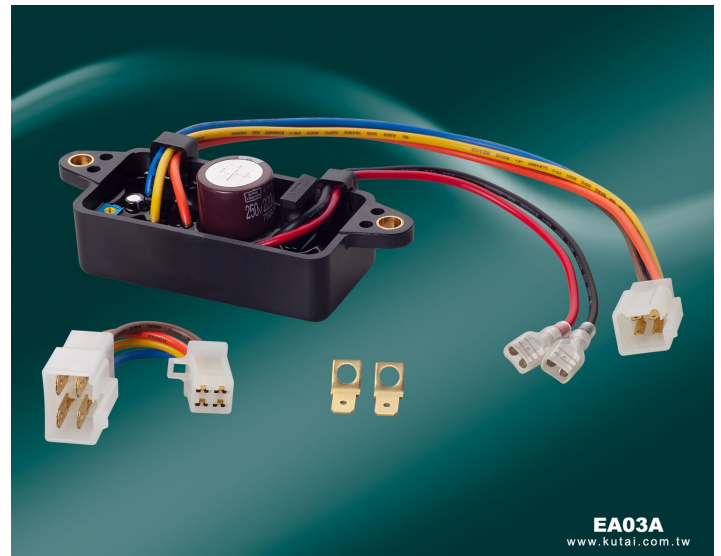
EA03A

Self Excited Automatic Voltage Regulator designed for Denyo & Gasoline Generators

Features

- Voltage regulation less than +/-2%
- For use in 50/60 Hz generators
- Adjustable output voltage^{*1}
- Compatible with many different models by adapter plug
- Economical compact design
- Single phase voltage sensing

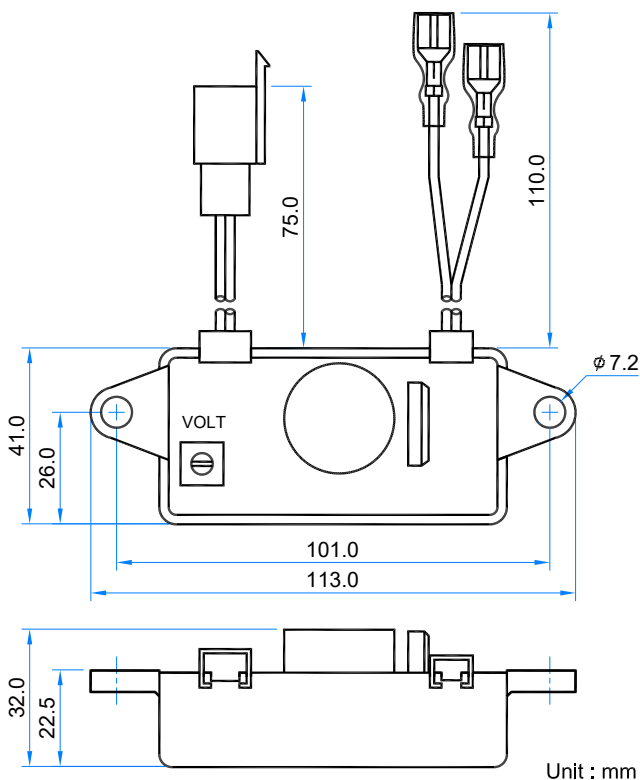
*1 The output voltage of the original AVR is not adjustable.



Specifications

Sensing Input	Voltage 18 to 22 Vac 1 phase 2 wire	Volts Regulation	Less than +/-2% (with 4% engine governing)
Power Input	Voltage 60 to 90 Vac 1 phase 2 wire	Build Up Voltage	5Vac residual volts at power input terminal
Output	Voltage 5 to 85 Vdc	Voltage Adjust Range	110 Vac +/-15%
	Current Continuous 3A Intermittent 4A for 60 seconds	Voltage Thermal Drift	Less than 5% at temperature range
	Resistance Min. 25 ohms		-40 to +70 °C

Dimensions



Compatible Replacement for

BRAND	MODEL
KUBOTA	Low Boy GL6500S
YAMAHA	EDL6500S
HONDA	EP-1800, EP-2500
KAWASAKI	GE-1400, GE-2200, GA-2300, GA-2900
SUZUKI	SV-1400L, SV-1400LD, SV-2200L, SV-2200LD
SAWAFUJI	SH-1800, SH-2600
MARUYAMA	ME-1800, ME-2600
ELEPAQ	PH-1800, PH-2600

Environment

Operating Temperature	-40 to +60 °C
Storage Temperature	-40 to +85 °C
Relative Humidity	Max. 95%
Vibration	1.5 Gs @ 5 to 30 Hz 5.0 Gs @ 30 to 500 Hz

Physical Specifications

Dimensions	113.0 (L) x 41.0 (W) x 32.0 (H) mm
Weight	127 g +/-2%

*All manufacturer names and numbers are used for reference purpose only and do not imply that any part is the product of these manufacturer.



KUTAI ELECTRONICS INDUSTRY CO., LTD.
TEL : +886-7-8121771 FAX : +886-7-8121775 Website : www.kutai.com.tw
Headquarters : No.3, Ln. 201, Qianfu St., Qianzhen Dist., Kaohsiung City 80664, Taiwan

