

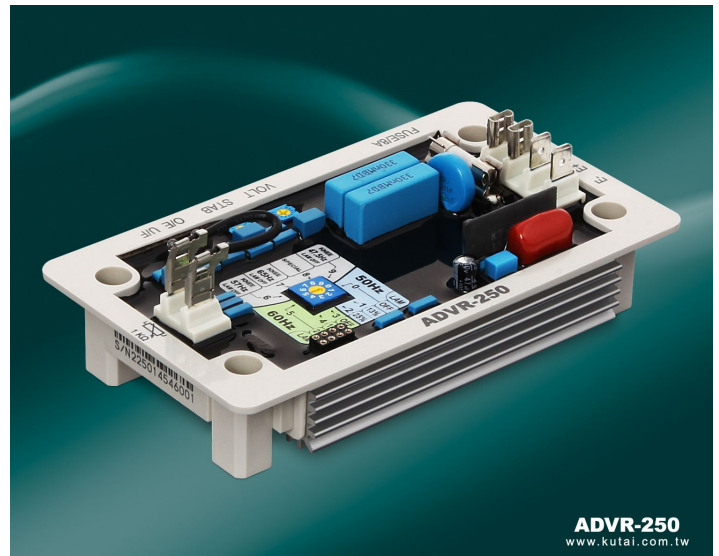
# ADVR-250

## Hybrid Analog/Digital 2 lines sensing Automatic Voltage Regulator 5Amp

Compatible with Leroy Somer R250/R230 AVR

### Features

- Compact size, robust and high reliability
- Innovative heat sink significantly increases cooling efficiency
- Load Acceptance Module (LAM) protection
- Soft start voltage ramping
- Over excitation protection
- Digital low frequency protection circuit, prevents thermal drift
- EMI suppression
- Built-in high capacity fuse

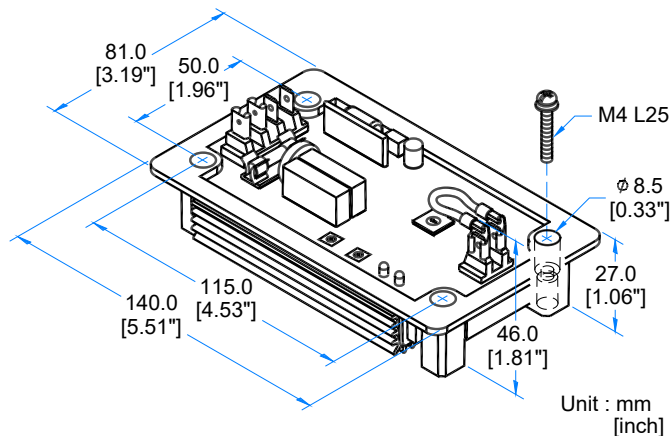


**ADVR-250**  
www.kutai.com.tw

### Specifications

<b>Sensing Input</b>	Voltage 85 to 140 Vac 1 phase 2 wire	<b>Typical System Response</b>	Less than 20 milliseconds
<b>(Average Reading)</b>	Frequency 50/60 Hz Potentiometer setting	<b>EMI Suppression</b>	Internal electromagnetic interference filtering
<b>Excitation Output</b>	120V 1 phase Continuous 63 Vdc 3.5A	<b>Static Power Dissipation</b>	Max. 4 watts
	Max. 110 Vdc 5A for 10 seconds	<b>Under Frequency Protection (Factory Presets)</b>	
	Resistance Min. 18 ohms Max. 100 ohms		50 Hz system knee point at 48 Hz
	Fuse Spec. Slow blow 5 x 20 mm 8A		60 Hz system knee point at 58 Hz
<b>External Volts Adjustment</b>	Max. +/-14% @ 1K ohm 1 watt potentiometer	<b>Over Excitation Current Limiting</b>	Excitation Current 5A +/-10%
<b>Voltage Regulation</b>	Less than +/-0.5% (with 4% engine governing)	<b>Voltage Thermal Drift</b>	Less than 3% at -40 to +70 °C
<b>Build Up Voltage</b>	5Vac 25Hz residual volts at power input terminal	<b>Under Frequency Knee Point Thermal Drift</b>	
<b>Soft Start Ramp Time</b>	3 seconds +/-10%		Less than +/-0.1 Hz at -40 to +70 °C

### Dimensions



### Environment

<b>Operating Temperature</b>	-40 to +70 °C
<b>Storage Temperature</b>	-40 to +85 °C
<b>Relative Humidity</b>	Max. 95%
<b>Vibration</b>	5.5 Gs @ 60 Hz

### Physical Specifications

<b>Dimensions</b>	140.0 (L) x 81.0 (W) x 46.0 (H) mm
	5.51 (L) x 3.19 (W) x 1.81 (H) inch
<b>Weight</b>	300 g +/-2%
	0.66 lb +/-2%

### Accessories

<b>M4L25 Screw</b>	x 4
<b>6.35 mm Flag type Terminal</b>	x 1
<b>6.35 mm connection PIN</b>	x 2

\*All manufacturer names and numbers are used for reference purpose only and do not imply that any part is the product of these manufacturer.



**KUTAI ELECTRONICS INDUSTRY CO., LTD.**  
 TEL : +886-7-8121771 FAX : +886-7-8121775 Website : [www.kutai.com.tw](http://www.kutai.com.tw)  
 Headquarters : No.3, Ln. 201, Qianfu St., Qianzhen Dist., Kaohsiung City 80664, Taiwan

