

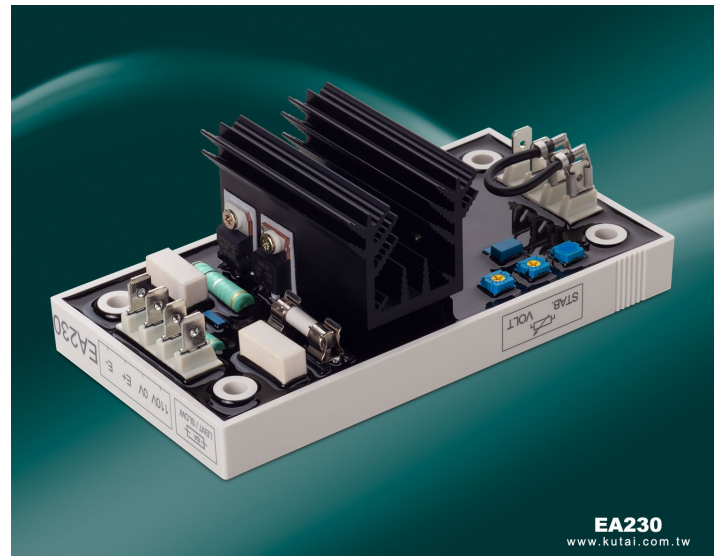
EA230

Self Excited Automatic Voltage Regulator

Compatible with Leroy Somer R230 regulator

Features

- Voltage regulation less than +/-1%
- Economical compact design
- For use in 50/60 Hz brushless generators
- EMI suppression
- Under frequency protection
- Over excitation current shutdown
- 120 Vac optional

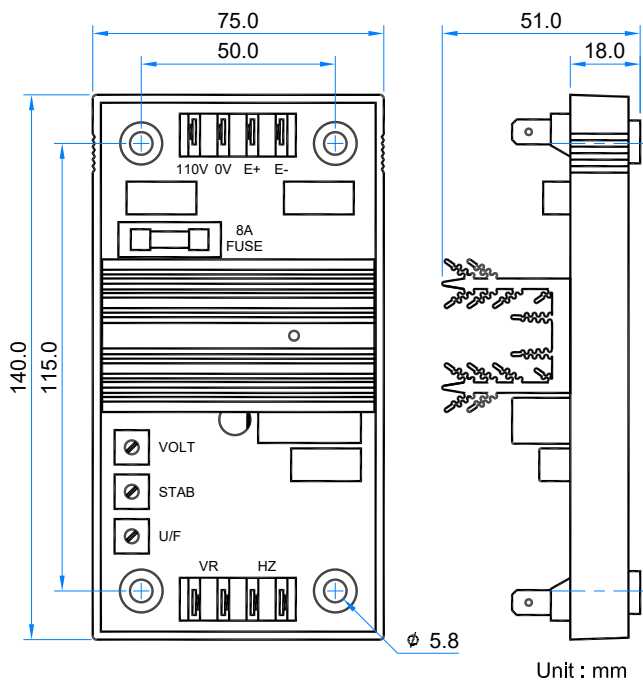


EA230
www.kutai.com.tw

Specifications

Sensing Input	Voltage	90 to 140 Vac @ 120 Vac	Volts Regulation	Less than +/-1% (with 4% engine governing)
		1 phase 2 wire	Build Up Voltage	6Vac residual volts at power input terminal
	Frequency	50/60 Hz	EMI Suppression	Internal electromagnetic interference filtering
Excitation Output	Voltage	Max. 100 Vdc @ power input 120 Vac	Static Power Dissipation	Max. 6 watts
	Current	Continuous 3.5A Intermittent 5A for 10 seconds	Under Frequency Protection (Factory Presets)	
	Resistance	Min. 15 ohms		Adjustable range 45/55 Hz
External Voltage Adjustment		Max. +/-5% @ 1K ohm 0.5 watt potentiometer	Voltage Thermal Drift	Less than 3% at temperature range -40 to +70 °C

Dimensions



AVR Control Functions

VOLT	Voltage adjustment
STAB	Stability adjustment
U/F	Setting under frequency protection knee point

Environment

Operating Temperature	-40 to +60 °C
Storage Temperature	-40 to +85 °C
Relative Humidity	Max. 95%
Vibration	1.5 Gs @ 5 to 30 Hz
	5.0 Gs @ 30 to 500 Hz

Physical Specifications

Dimensions	140.0 (L) x 75.0 (W) x 51.0 (H) mm
Weight	310 g +/-2%
Shock	Withstands up to 20G in each X, Y, Z axes

*All manufacturer names and numbers are used for reference purpose only and do not imply that any part is the product of these manufacturer.



KUTAI ELECTRONICS INDUSTRY CO., LTD.
 TEL : +886-7-8121771 FAX : +886-7-8121775 Website : www.kutai.com.tw
 Headquarters : No.3, Ln. 201, Qianfu St., Qianzhen Dist., Kaohsiung City 80664, Taiwan

