

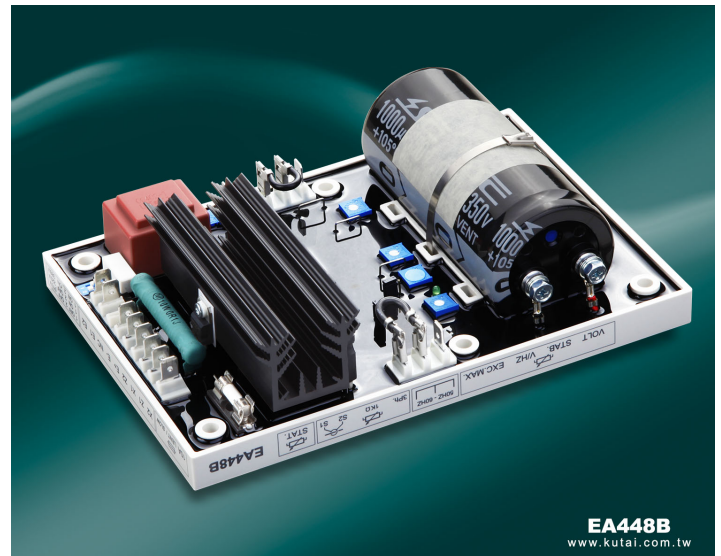
EA448B

Automatic Voltage Regulator 160Vdc 10Amp

Compatible with Leroy Somer R448, R449, R450 and R438 regulators

Features

- Voltage regulation less than +/-0.5%
- Load acceptance module (LAM)
- 50/60 Hz selectable
- Under frequency & Exc. max protection
- Soft start voltage ramping
- Normal rapid response time (Option)
- Applicable for PMG or A.R.E.P or Auxiliary Winding
- Apply with KUTAI [EPMG 1270 / EPMG 2470](#) to exceeds normal generator motor starting capabilities

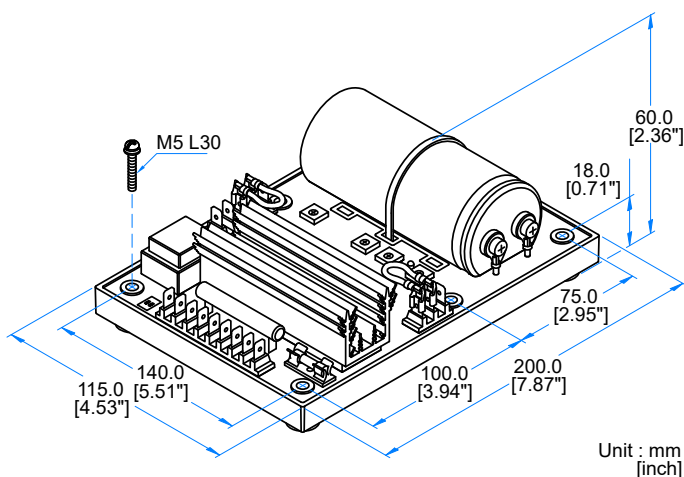


EA448B
www.kutai.com.tw

Specifications

Sensing Input	Voltage 95 to 520 Vac 1 phase 2 wire	Build Up Voltage	5 Vac 25Hz residual volts at power input terminal
(Average Reading)	(DIP Switch Settings)	Excitation Output	Continuous 110 Vdc 7A @ power input 120 Vac
	110 Vac Adjustment Range 95 – 140 Vac		Max. 160 Vdc 10A for 10 Sec.
	220 Vac Adjustment Range 170 – 260 Vac		Resistance Min. 15Ω, Max. 100Ω @120V
	380 Vac Adjustment Range 340 – 520 Vac		Fuse Spec. Slow blow 5 x 20mm 10A
	Frequency 50/60 Hz (Jumper selected)	Voltage Regulation	Less than +/- 0.5% (with 4% engine governing)
Power Input	Voltage 40 to 150 Vac 1 phase 2 wire	Soft Start Ramp Time	3 seconds +/- 10%
	Frequency 40 to 500 Hz	Typical System Response	0.3 to 1 second @ +/-20% voltage vibration
Auxiliary Input	Voltage 40 to 150 Vac 1 phase 2 wire	Static Power Dissipation	Max. 4 watts
	Frequency 40 to 500 Hz	Under Frequency Protection	50 Hz system knee point at 45Hz
External Volts Adjustment	Max. +/-10% @ 1KΩ 1 watt potentiometer		60 Hz system knee point at 55Hz
Quadrature Droop Input	Sensitivity +/- 7%@ PF +/- 0.7 (STAT. Adjustable)	Over Excitation Current limitation	3.5A to 10A (EXC.MAX. Adjustable)
		Voltage Thermal Drift	Less than 3% from -40 to +70 °C

Dimensions



AVR Control Functions

VOLT	Voltage adjustment
STAB	Stability adjustment
V/HZ	Under Frequency Adjustment
EXC.MAX	Over Excitation Current Limiting
STAT	Quadrature Droop Adjustment

Environment

Operating Temperature	-40 to +70 °C
Storage Temperature	-40 to +85 °C
Relative Humidity	Max. 95%
Vibration	5.5 Gs @ 60 Hz

Physical Specifications

Dimensions	203.0 (L) x 153.0 (W) x 60.5 (H) mm 7.99 (L) x 6.03 (W) x 2.38 (H) inch
Weight	850 g +/-2% 1.874 lb +/- 2%

*All manufacturer names and numbers are used for reference purpose only and do not imply that any part is the product of these manufacturer.



KUTAI ELECTRONICS INDUSTRY CO., LTD.
TEL : +886-7-8121771 FAX : +886-7-8121775 Website : www.kutai.com.tw
Headquarters : No.3, Ln. 201, Qianfu St., Qianzhen Dist., Kaohsiung City 806037, Taiwan

